

Power Xpert Meter 350 (PXM350) three-phased DIN-rail multifunction meter



Contents

Description	Page
Product overview	2
Key features	2
Wide voltage range	2
Ordering information	2
Additional features	2
PXM350 functions comparison	3
Metering	4
Specifications	4
Typical wiring for 5 A/1 A current input	5
Dimensions	6
Typical wiring for RCT/mV/mA current input	6

Features

- Revenue grade accuracy: ANSI C12.20 0.5 Class
- Measurement Canada approved
- Tamper-proof sealing design approved for revenue applications
- Wide voltage measurement range, directly measure up to 400VLN - 690 VLL
- Multiple current sensor input options compatible with any CT
- Built-in Modbus RTU, BACnet MSTP, and pulse output
- Auto-wiring check to verify correct installation
- SunSpec support



Powering Business Worldwide

Product overview

The PXM350 DIN rail meter combines high performance with ease of integration to provide a cost-effective power and energy monitoring solution. Featuring a built-in liquid crystal display (LCD) designed to simplify setup and local reading of meter data. While the Modbus-RTU, BACnet MSTP, and pulse output communication allows seamless integration with data acquisition systems.

Key features

The PXM350 series of three-phase multi-circuit power and energy meters offer revenue grade accuracy and a wealth of other features, including:

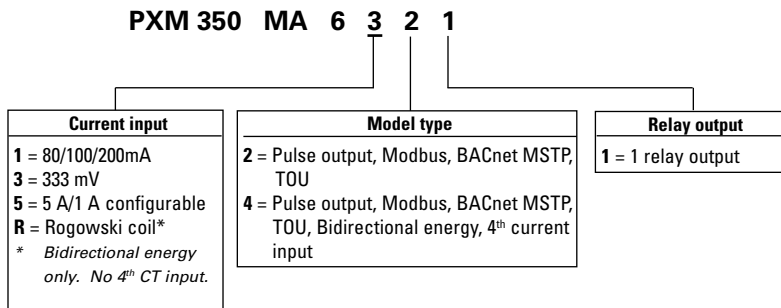
- Utility Revenue Grade Accuracy - IEC 62053-22 0.5s Class / ANSI C12.20 0.5 Class;
- Multiple CT input options compatible with any CT: 5 A/1 A, 333 mV, flexible Rogowski (100mV output) 80/100/200 mA;
- Four-channel current input including neutral current measurement;
- Residual current measurement available;
- 10-690 Vac direct voltage input, one model for most low voltage circuits;
- RS-485 port built-in with Modbus-RTU or BACnet MSTP provides standard integration with most systems;
- Standard Din-rail mount for ease-of-installation;
- Compatible with both 50 Hz and 60 Hz systems;
- Built-in energy pulse output;
- Relay output for alarm or remote control; and
- Tamper-proof design approved for revenue applications.

Wide voltage range

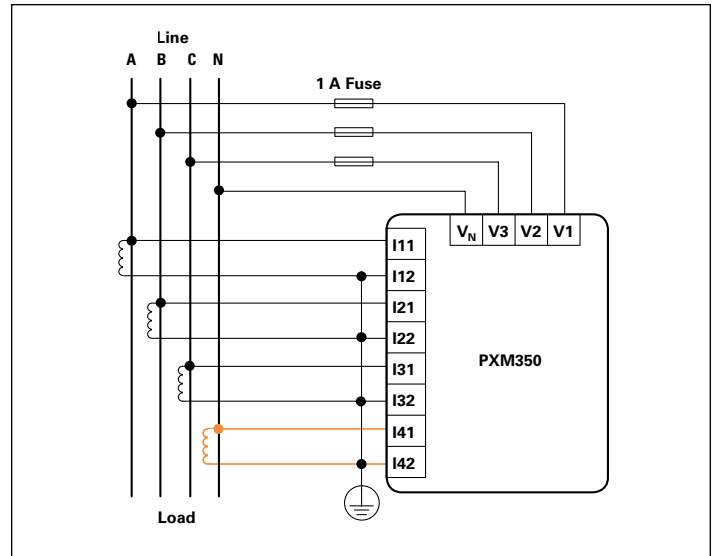
Voltage: Measuring from 10 V to 400 VL-N 690 VL-L that works with most voltage ratings without a potential transformer (PT). Potential transformer ratio configuration supported where PT is used.

Frequency: Automatically adapt to 50 Hz and 60 Hz system without compromising the accuracy, which simplifies design and eliminates international frequency issues.

Ordering information



Additional features



Four channel CT input

Accurately measure neutral current with 4th CT and provide residual current measurement.

Auto wiring-check

Designed to automatically check most common wiring mistakes such as CT polarity, voltage, and current phase alignment.

Supports standard electrical system configurations

Three-phase three-wire (3P3W), three-phase four-wire (3P4W), single-phase three-wire (1P3W two element), single-phase two-wire (1P2W one element) and more.

PXM350 functions comparison

Feature	PXM350 MA 6x2x	PXM350 MA 6x4x
Bi-directional energy measurement		•
Active energy	•	•
Reactive energy	•	•
Apparent energy	•	•
Time-of-use	•	•
Power demand	•	•
Peak power demand	•	•
Predictive demand	•	•
Current demand	•	•
Peak current demand	•	•
Voltage	•	•
Current	•	•
Neutral current	Calculated	•
Residual current		Calculated
Active power	•	•
Reactive power	•	•
Apparent power	•	•
Power factor	•	•
Frequency	•	•
Clock	•	•
Running time	•	•
Energy pulse output	•	•
Relay output (alarm or control)	•	•
RS-485 Modbus-RTU or BACnet MSTP	•	•
Wiring check	•	•
Temperature (internal)	•	•
SunSpec	•	•
Current transformer (CT) input	5 A/1 A: Field-configurable CT input 333 mV: CT Input flexible Rogowski coil CT Input 80/100/200 mA: field-configurable CT input	
I/O	One relay output for alarm or remote control	

Metering

Parameter	Accuracy	Resolution	Range
Active energy	0.5%	1 Wh	0-999999999
Reactive energy	0.5%	1 varh	0-999999999
Apparent energy	0.5%	1 VAh	0-999999999
Voltage	0.5%	0.1	10 V-1000 kV
Current	0.5%	0.001 A	10 mA-500000 A
Active power	0.5%	1 W	-99-99 MW
Reactive power	0.5%	1 var	-99-99 Mvar
Apparent power	0.5%	1 VA	-99-99 MVA
Power factor	0.5%	0.001	-0.001 to 1.000 to +0.001
Frequency	0.2%	0.01 Hz	50/60
Power demand	0.5%	1 W/var/VA	99 MW/Mvar/MVA
Current demand	0.5%	0.001 A	10 mA-5000 A

Specifications

Voltage	
Rated voltage	400 Vac L-N 690 Vac L-L
Input impedance	2 MΩ/phase
Measurement frequency	50/60 Hz
Accuracy	0.5%

Current input	
Stated current (IN)	5 Aac/1 Aac
Start current	10 mA
Accuracy	0.5%

Pulse output	
Isolation voltage	2500 Vac
Load voltage	0-250 Vac
Load current	100 mA (max)

Control power	
AC/DC Control power	100-415 Vac, 50/60 Hz,
Operating range	100-300 Vdc
Power consumption	<2 W or 10 VA

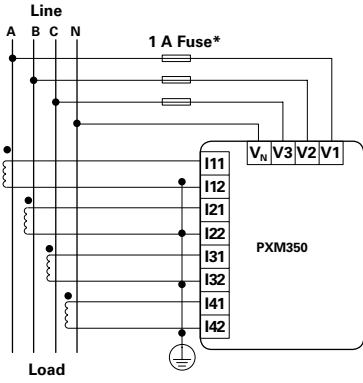
Relay output	
Load voltage	250 Vac 30 Vdc
Max. load current	5 A (resistive load)
Isolation voltage	2000 Vac (1 min.)
Action time	10 ms
Mechanical life	20 million times
Electrical life	Above 50,000 times (5 A, 250 Vac, resistive load)

Communication	
RS-485 baud rate	1200-38400
Communication protocol	Modbus-RTU or BACnet MSTP

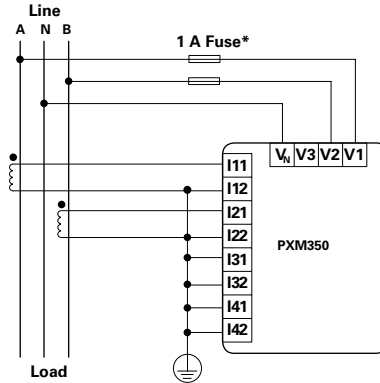
Environment	
Operating temperature	-25~70°C (-13~158°F)
Storage temperature	-40~85°C (-40~185°F)
Relative humidity	5% to 95% non condensing

Standard compliance & certification	
Measurement standard	IEC 62053-22 0.5s class, ANSI C12.20 0.5 class
Environmental standard	CE RoHS
Safety standard	IEC 61010-1, UL/cUL 61010-1

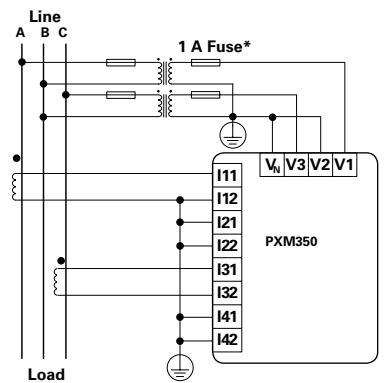
Typical wiring for 5 A/1 A current input



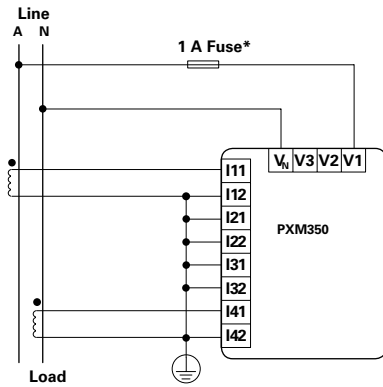
Select 3LN, 3CT configuration option.



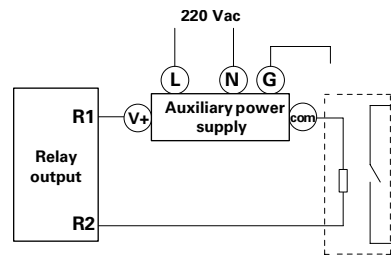
Select 1LL, 2CT configuration option.



Select 2LL, 2CT configuration option.

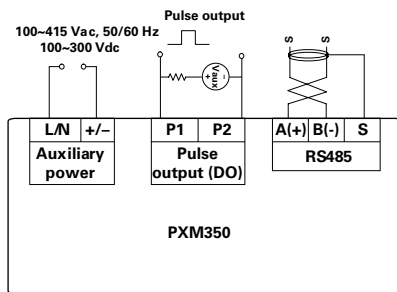


Select 1LN, 1CT configuration option.



Relay output

Note: Optional interposing relay, not included with meter.

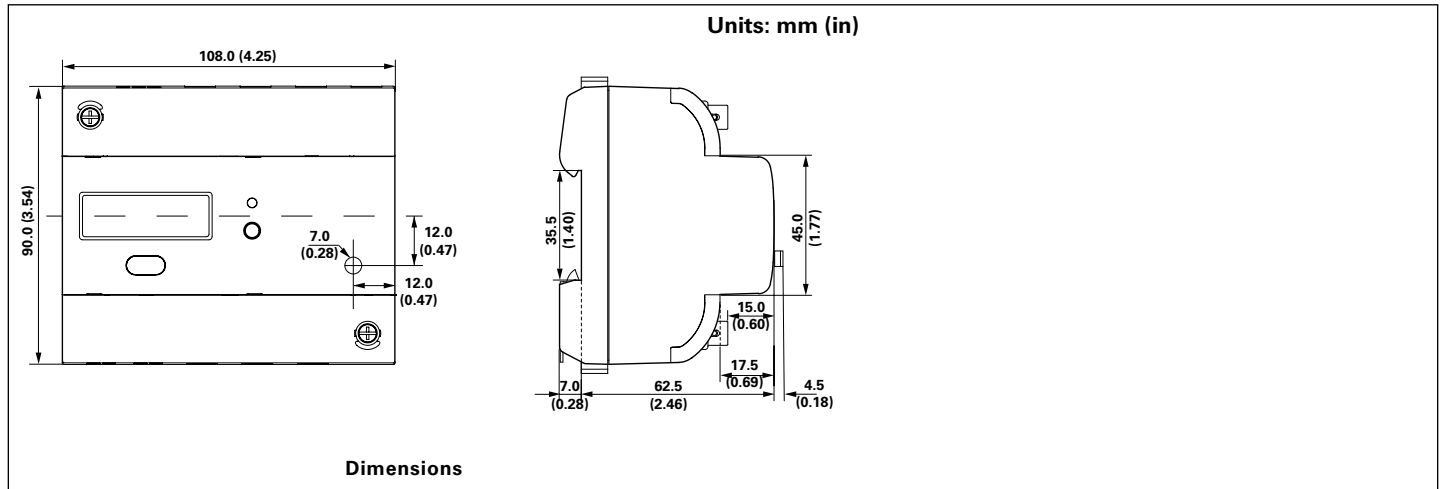


Auxiliary power + pulse + RS485

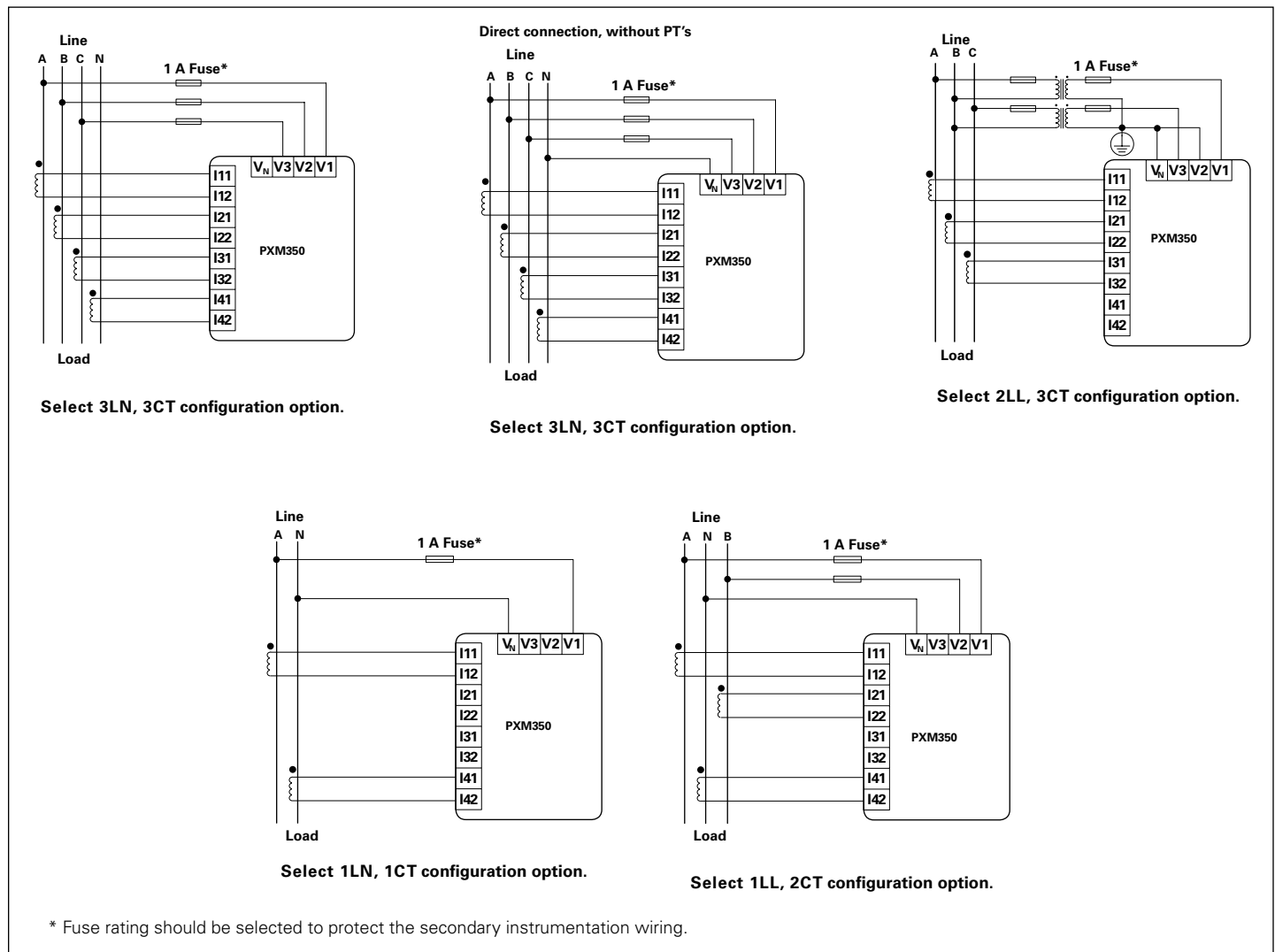
* Fuse rating should be selected to protect the secondary instrumentation wiring.

Note: CT shorting terminal blocks are required but not shown in the diagrams.

Dimensions



Typical wiring for RCT/mV/mA current input



Note: CT shorting terminal blocks are required when using mA output current sensors, but are not shown in the diagrams.

Notes:

DISCLAIMER OF WARRANTIES AND LIMITATION OF LIABILITY

The information, recommendations, descriptions and safety notations in this document are based on Eaton Corporation's ("Eaton") experience and judgment and may not cover all contingencies. If further information is required, an Eaton sales office should be consulted. Sale of the product shown in this literature is subject to the terms and conditions outlined in appropriate Eaton selling policies or other contractual agreement between Eaton and the purchaser.

THERE ARE NO UNDERSTANDINGS, AGREEMENTS, WARRANTIES, EXPRESSED OR IMPLIED, INCLUDING WARRANTIES OF FITNESS FOR A PARTICULAR PURPOSE OR MERCHANTABILITY, OTHER THAN THOSE SPECIFICALLY SET OUT IN ANY EXISTING CONTRACT BETWEEN THE PARTIES. ANY SUCH CONTRACT STATES THE ENTIRE OBLIGATION OF EATON. THE CONTENTS OF THIS DOCUMENT SHALL NOT BECOME PART OF OR MODIFY ANY CONTRACT BETWEEN THE PARTIES.

In no event will Eaton be responsible to the purchaser or user in contract, in tort (including negligence), strict liability or otherwise for any special, indirect, incidental or consequential damage or loss whatsoever, including but not limited to damage or loss of use of equipment, plant or power system, cost of capital, loss of power, additional expenses in the use of existing power facilities, or claims against the purchaser or user by its customers resulting from the use of the information, recommendations and descriptions contained herein. The information contained in this manual is subject to change without notice.

Eaton
1000 Eaton Boulevard
Cleveland, OH 44122
United States
Eaton.com

© 2023 Eaton
All Rights Reserved
Printed in USA
Publication No. TD150024EN/GC
January 2023